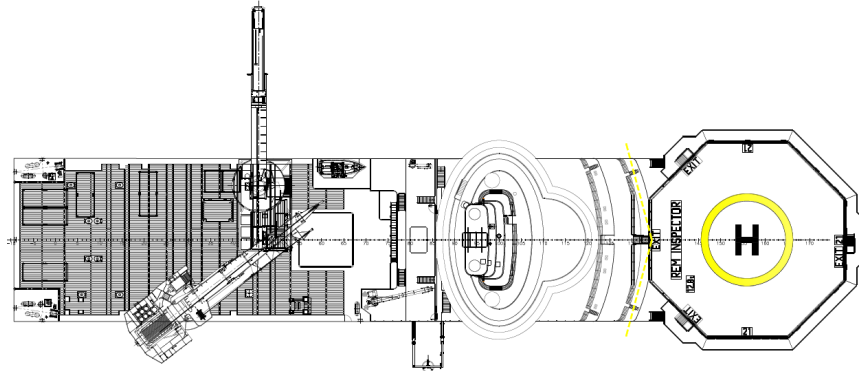
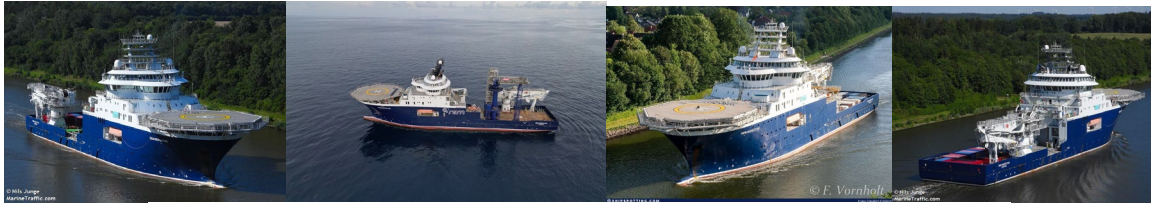




# HELIDECK INFORMATION PLATE

**Certificate Expiry Date: 18 Oct 2025**

|                                           |              |                                                                                                                                                                                       |                         |                                                   |  |
|-------------------------------------------|--------------|---------------------------------------------------------------------------------------------------------------------------------------------------------------------------------------|-------------------------|---------------------------------------------------|--|
| HELIDECK<br>Elev <b>56 ft</b>             | VAR<br>Check | POSITION<br>Check                                                                                                                                                                     | <b>REM Inspector</b>    |                                                   |  |
| HEIGHT OF INSTALLATION: <b>124</b>        |              | VHF<br>Check                                                                                                                                                                          | NDB<br><b>410 5BUR4</b> | Issue Date<br><b>01 Dec 2023</b>                  |  |
| HIGHEST OBSTACLE WITHIN 5NM: <b>Check</b> |              | Operating Company<br><b>Rem Maritime AS</b>                                                                                                                                           |                         | Issued By<br><b>Helideck Certification Agency</b> |  |
| FUELLING INSTALLATION: <b>No</b>          |              | (Norway 1.25D - 'H' = <b>D=20.88/SLA=26.1</b> )<br>HELIDECK D value: <b>20.88m</b><br>P/R/H Category: <b>3</b><br>Max Weight: <b>12.8t</b><br>Circle & H Lights: <b>Lights Fitted</b> |                         |                                                   |  |
| STARTING EQUIPMENT: <b>No</b>             |              |                                                                                                                                                                                       |                         |                                                   |  |



| Wind (T°) | Kts  | Limitation /Comment                                                                                                                                                                                                                                                                                                                         |
|-----------|------|---------------------------------------------------------------------------------------------------------------------------------------------------------------------------------------------------------------------------------------------------------------------------------------------------------------------------------------------|
|           |      | OSCV – Offshore Support & Construction Vessel<br>• CAT 3 - Bow helideck<br>• Day Ops only (CAP 437 compliant areas)<br>• No DG from vessel by helicopter<br>• HMS Rev 9B + Lights fitted<br>• Caution when shutting down (no starter unit)<br>• Helideck net to be fitted for all flight operations in Norway<br>• Circle & H lights fitted |
|           |      | <b>Non-Compliance</b>                                                                                                                                                                                                                                                                                                                       |
|           | Misc | Norway only: Dual Agent not fitted                                                                                                                                                                                                                                                                                                          |