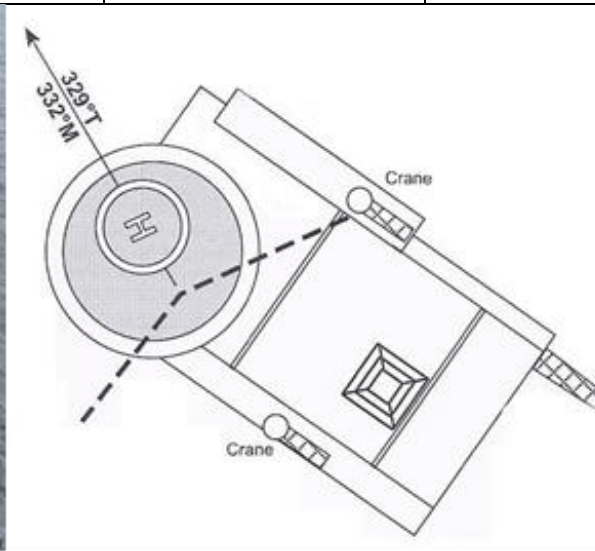




HELIDECK INFORMATION PLATE

Certificate Expiry Date: 24 April 2025

HELIDECK Elev 154 ft	VAR 0	POSITION N56 24.0 E002 03.7	EGAK Auk Alpha		
HEIGHT OF INSTALLATION: 182		VHF Traf 122.780	NDB 386 AK	Issue Date 18 Sept 2023	
HIGHEST OBSTACLE WITHIN 5NM: Check		Log 126.805		Operating Company	
FUELLING INSTALLATION: No		Repsol Sinopec		Issued By Helideck Certification Agency	
STARTING EQUIPMENT: Yes					
Norway 1.25D - 'H' = 22.2m					
HELIDECK D value: 22.2m					
P/R/H Category: F					
Max Weight: 9.3					
Circle & H Lights: Yes					



Wind (T°)	Kts	Limitation /Comment
		Platform <ul style="list-style-type: none"> • Table 1(T&L) if overflight of accommodation module and access platforms unavoidable. • Approved Friction Surface - no net • Cleared for S92 • No planned shut-downs
		Non-Compliance
	210°	Guardrails & Aerial East & West access platforms up to 60cm adl.
	5:1	Accommodation module (East) West access platform