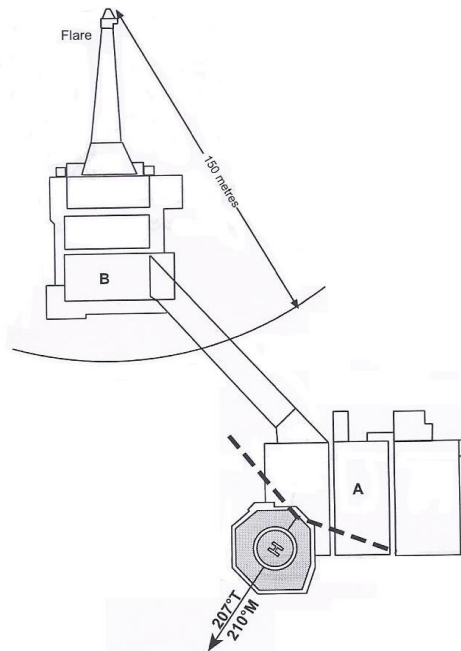




HELIDECK INFORMATION PLATE

HELIDECK Elev 219 ft	VAR 0	POSITION N60 48.5 E001 44.1	EGNI Alwyn North	
HEIGHT OF INSTALLATION: HIGHEST OBSTACLE WITHIN 5NM:		326ft Top of Rig	VHF Traf 130.205 Log 122.255	NDB N/A Issue Date 27th Oct 2022
FUELLING INSTALLATION: STARTING EQUIPMENT:		Yes Yes	Operating Company Total	
HELIDECK D value: P/R/H Category: Max Weight: Circle & H Lights:		27m F 21t Yes	Issued By Helideck Certification Agency	



Wind (T°)	Kts	Limitation /Comment
• 315-345	• All	Platform • Possible turbulence - B platform exhausts and structure Turbulence reports requested to assess above • Do not overfly HLO cabin • Overflight of the SW Foam monitor platform to be avoided on take off • Overflight of the bridge between the NAA and NAB should be avoided. Takeoffs over the bridge are not permitted • Warning: 150m radius avoid area due to Alwyn North B flare. (Temperature rise following Automatic Blowdown - No warning)
		Non Compliance
210°		Perimeter net frame at SE corner marginally adl
150°		HLO cabin is marginal infringement Anemometer on HLO cabin roof infringement of 0.42m NATS antenna on HLO cabin roof infringement of 0.22m
5:1		South, east & west foam monitor platforms Crane A-frame east of helideck
Misc		Approved friction surface - no net